

Potential distributors - AXL SE PD16 24V



1337223

<https://www.phoenixcontact.com/gb/products/1337223>

Please be informed that the data shown in this PDF document is generated from our Online Catalog. Please find the complete data in the user documentation. Our General Terms of Use for Downloads are valid.

Axioline Smart Elements, Potential distribution module, 24 V DC, degree of protection: IP20



Product Description

You can integrate Axioline Smart Elements into systems with the Smart Element interface. This Smart Element provides the 24 V I/O supply voltage U_p at 16 terminal points. The Smart Element thus enables you to supply sensors with 24 V DC, whose signal lines are connected to the AXL SE DI16/1 Smart Element, for example.

Your advantages

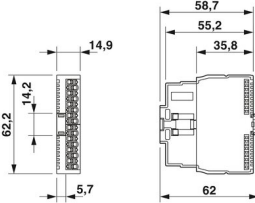
- 16 terminal points, connected to the 24 V I/O supply U_p
- 2 internal electronic fuses with 2 A each

Commercial Data

Item number	1337223
Packing unit	1 pc
Minimum order quantity	1 pc
Sales Key	DRIBZ4
Product Key	DRIBZ4
GTIN	4063151638542
Weight per Piece (including packing)	35.5 g
Weight per Piece (excluding packing)	30 g
Customs tariff number	85389099
Country of origin	DE

Technical Data

Dimensions

Dimensional drawing	
Width	14.9 mm
Height	62.2 mm
Depth	62 mm

Material specifications

Color	traffic grey A RAL 7042
-------	-------------------------

Interfaces

Smart Element interface

Number of interfaces	1
Connection method	Card edge connector
Transmission speed	See system in which you use the Smart Element.

System properties

Module

ID code (hex)	none
Process data channel	0 Bit
Input address area	0 Byte (All systems except PROFIBUS) 1 Byte (PROFIBUS)
Output address area	0 Byte
Required parameter data	1 Byte
Required configuration data	6 Byte

Product properties

Type	modular
Product type	I/O component
Mounting position	See the system in which the Smart Element is used.

Insulation characteristics

Overvoltage category	II (IEC 60664-1, EN 60664-1)
Pollution degree	2 (IEC 60664-1, EN 60664-1)

Electrical properties

Potential distributors - AXL SE PD16 24V



1337223

<https://www.phoenixcontact.com/gb/products/1337223>

Potentials: Communications power supply of the Smart Elements (U_{SE})

Supply voltage	using card edge connectors
----------------	----------------------------

Potentials: I/O supply (U_P)

Supply voltage	24 V DC (using card edge connectors)
Supply voltage range	19.2 V DC ... 30 V DC (including all tolerances, including ripple)
Current draw	max. 4 A (2 x 2 A)
Current consumption	min. 10 mA (without connected peripherals)
Power consumption	max. 120 W (of which 1.06 W constitute internal losses) min. 192 mW
Protective circuit	Surge protection; See the system in which the Smart Element is used. Reverse polarity protection; Polarity protection diode Short-circuit/overload protection; electronic fuse (for terminal points 0 ... 7 and 8 ... 15 respectively, 2 A each)

Connection data

Connection technology

Connection name	I/O
Note on the connection method	Please observe the information provided on conductor cross sections in the "Axioline Smart Elements" user manual.

Conductor connection

Connection method	Push-in connection
Conductor cross section solid	0.25 mm ² ... 1.5 mm ²
Conductor cross section flexible	0.25 mm ² ... 1.5 mm ²
Conductor cross section AWG	24 ... 16
Conductor cross section flexible, with ferrule without plastic sleeve	0.25 mm ² ... 1.5 mm ²
Conductor cross section, flexible, with ferrule, with plastic sleeve	0.25 mm ² ... 1.5 mm ²
Stripping length	8 mm

I/O

Connection method	Push-in connection
Note on the connection method	Please observe the information provided on conductor cross sections in the "Axioline Smart Elements" user manual.
Conductor cross section, rigid	0.25 mm ² ... 1.5 mm ²
Conductor cross section, flexible	0.25 mm ² ... 1.5 mm ²
Conductor cross section AWG	24 ... 16
Conductor cross section, flexible, with ferrule, with plastic sleeve	0.25 mm ² ... 1.5 mm ²
Conductor cross section flexible, with ferrule without plastic sleeve	0.25 mm ² ... 1.5 mm ²
Stripping length	8 mm

Environmental and real-life conditions

Ambient conditions

Potential distributors - AXL SE PD16 24V



1337223

<https://www.phoenixcontact.com/gb/products/1337223>

Ambient temperature (operation)	-25 °C ... 60 °C
Degree of protection	IP20
Air pressure (operation)	70 kPa ... 106 kPa (up to 3000 m above sea level)
Air pressure (storage/transport)	70 kPa ... 106 kPa (up to 3000 m above sea level)
Ambient temperature (storage/transport)	-40 °C ... 85 °C
Permissible humidity (operation)	5 % ... 95 % (non-condensing)
Permissible humidity (storage/transport)	5 % ... 95 % (non-condensing)

Standards and regulations

Protection class	III (IEC 61140, EN 61140, VDE 0140-1)
------------------	---------------------------------------

Mounting

Mounting type	Smart Element slot
Mounting position	See the system in which the Smart Element is used.

Potential distributors - AXL SE PD16 24V



1337223

<https://www.phoenixcontact.com/gb/products/1337223>

Classifications

ECLASS

ECLASS-10.0.1	27242610
ECLASS-11.0	27242610
ECLASS-9.0	27242610

Phoenix Contact 2023 © - all rights reserved

<https://www.phoenixcontact.com>

PHOENIX CONTACT Ltd

Halesfield 13, Telford

Shropshire, TF7 4PG

01952 681700

info@phoenixcontact.co.uk