

Analog module - AXL SE AO4 I 4-20



1088123

<https://www.phoenixcontact.com/gb/products/1088123>

Please be informed that the data shown in this PDF document is generated from our Online Catalog. Please find the complete data in the user documentation. Our General Terms of Use for Downloads are valid.



Axioline Smart Elements, Analog output module, Analog outputs: 4, 4 mA ... 20 mA, connection technology: 2-conductor, degree of protection: IP20

Product Description

You can integrate Axioline Smart Elements into systems with the Smart Element interface. This Smart Element emits analog current signals.

Your advantages

- 4 analog output channels
- Connection of actuators in 2-conductor technology
- Current range: 4 mA ... 20 mA
- Data format: standardized representation
- Resolution: 12 bits
- Wire-break detection
- Substitute value behavior can be parameterized for each output
- Device rating plate stored

Commercial Data

Item number	1088123
Packing unit	1 pc
Minimum order quantity	1 pc
Sales Key	DRIB42
Product Key	DRIB42
GTIN	4055626887821
Weight per Piece (including packing)	38.966 g
Weight per Piece (excluding packing)	35 g
Customs tariff number	85389091
Country of origin	DE

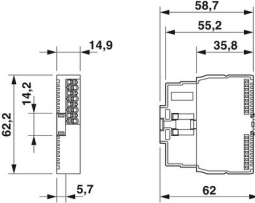
Analog module - AXL SE AO4 I 4-20

1088123

<https://www.phoenixcontact.com/gb/products/1088123>

Technical Data

Dimensions

Dimensional drawing	
Width	14.9 mm
Height	62.2 mm
Depth	62 mm

Notes

Utilization restriction

EMC note	EMC: class A product, see manufacturer's declaration in the download area
----------	---

Material specifications

Color	traffic grey A RAL 7042
-------	-------------------------

Interfaces

Smart Element interface

Number of interfaces	1
Connection method	Card edge connector
Transmission speed	See system in which you use the Smart Element.
Start time until ready to operate	< 1000 ms

System properties

Module

ID code (hex)	none
Process data channel	64 Bit
Input address area	8 Byte
Output address area	8 Byte
Required parameter data	24 Byte
Required configuration data	7 Byte

Output data

Analog

Output name	Analog outputs
Connection method	Push-in technology

Analog module - AXL SE AO4 I 4-20



1088123

<https://www.phoenixcontact.com/gb/products/1088123>

Connection technology	2-conductor
Note regarding the connection technology	shielded, twisted pair
Number of outputs	4
D/A converter resolution	12 bit
Protective circuit	Short-circuit and overload protection; electronic Transient protection
Data formats	Standardized representation
Representation of output values	16 bits
Process data update	typ. 1 ms
Current output signal	4 mA ... 20 mA
Load/output load current output	max. 500 Ω
Permissible cable length	max. 250 m

Product properties

Type	modular
Product type	I/O component
Mounting position	See the system in which the Smart Element is used.

Insulation characteristics

Overvoltage category	II (IEC 60664-1)
Pollution degree	2 (EN 60664-1)

Electrical properties

Potentials: Communications power supply of the Smart Elements (U_{SE})

Supply voltage	using card edge connectors
----------------	----------------------------

Potentials: I/O supply (U_P)

Supply voltage	24 V DC (using card edge connectors)
Supply voltage range	19.2 V DC ... 30 V DC (including all tolerances, including ripple)
Current draw	max. 120 mA typ. 100 mA
Current consumption	min. 30 mA (without connected peripherals)
Power consumption	max. 2.88 W min. 720 mW
Protective circuit	Surge protection; See the system in which the Smart Element is used. Reverse polarity protection; Polarity protection diode

Connection data

Connection technology

Connection name	I/O
Note on the connection method	Please observe the information provided on conductor cross sections in the "AxioLine Smart Elements" user manual.

Conductor connection

Analog module - AXL SE AO4 I 4-20



1088123

<https://www.phoenixcontact.com/gb/products/1088123>

Connection method	Push-in connection
Conductor cross section solid	0.25 mm ² ... 1.5 mm ²
Conductor cross section flexible	0.25 mm ² ... 1.5 mm ²
Conductor cross section AWG	24 ... 16
Conductor cross section flexible, with ferrule without plastic sleeve	0.25 mm ² ... 1.5 mm ²
Conductor cross section, flexible, with ferrule, with plastic sleeve	0.25 mm ² ... 1.5 mm ²
Stripping length	8 mm

I/O

Connection method	Push-in connection
Note on the connection method	Please observe the information provided on conductor cross sections in the "AxioLine Smart Elements" user manual.
Conductor cross section, rigid	0.25 mm ² ... 1.5 mm ²
Conductor cross section, flexible	0.25 mm ² ... 1.5 mm ²
Conductor cross section AWG	24 ... 16
Conductor cross section, flexible, with ferrule, with plastic sleeve	0.25 mm ² ... 1.5 mm ²
Conductor cross section flexible, with ferrule without plastic sleeve	0.25 mm ² ... 1.5 mm ²
Stripping length	8 mm

Environmental and real-life conditions

Ambient conditions

Ambient temperature (operation)	-25 °C ... 60 °C
Degree of protection	IP20
Air pressure (operation)	70 kPa ... 106 kPa (up to 3000 m above sea level)
Air pressure (storage/transport)	70 kPa ... 106 kPa (up to 3000 m above sea level)
Ambient temperature (storage/transport)	-40 °C ... 85 °C
Permissible humidity (operation)	5 % ... 95 % (non-condensing)
Permissible humidity (storage/transport)	5 % ... 95 % (non-condensing)

Standards and regulations

Protection class	III (IEC 61140, EN 61140, VDE 0140-1)
------------------	---------------------------------------

Mounting

Mounting type	Smart Element slot
Mounting position	See the system in which the Smart Element is used.

Analog module - AXL SE AO4 I 4-20



1088123

<https://www.phoenixcontact.com/gb/products/1088123>

Classifications

ECLASS

ECLASS-9.0	27242601
ECLASS-10.0.1	27242601
ECLASS-11.0	27242601
ECLASS-12.0	27242601

ETIM

ETIM 8.0	EC001596
----------	----------

UNSPSC

UNSPSC 21.0	32151600
-------------	----------

Phoenix Contact 2023 © - all rights reserved
<https://www.phoenixcontact.com>

PHOENIX CONTACT Ltd
Halesfield 13, Telford
Shropshire, TF7 4PG
01952 681700
info@phoenixcontact.co.uk