

# Analog module - AXL SE AI4 U 0-10



1088104

<https://www.phoenixcontact.com/gb/products/1088104>

Please be informed that the data shown in this PDF document is generated from our Online Catalog. Please find the complete data in the user documentation. Our General Terms of Use for Downloads are valid.



Axioline Smart Elements, Analog input module, Analog inputs: 4, 0 V ... 10 V, connection technology: 2-conductor, degree of protection: IP20

## Product Description

You can integrate Axioline Smart Elements into systems with the Smart Element interface. This Smart Element detects analog voltage signals.

## Your advantages

- 4 analog input channels
- Connection of sensors in 2-conductor technology
- Voltage range: 0 V ... 10 V
- Data format: standardized representation
- Resolution: 12 bits
- Substitute value behavior can be parameterized for each input
- Device rating plate stored

## Commercial Data

Item number	1088104
Packing unit	1 pc
Minimum order quantity	1 pc
Sales Key	DRIB41
Product Key	DRIB41
GTIN	4055626887715
Weight per Piece (including packing)	37.7 g
Weight per Piece (excluding packing)	35 g
Customs tariff number	85389091
Country of origin	DE

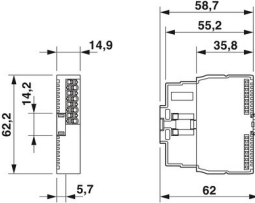
# Analog module - AXL SE AI4 U 0-10

1088104

<https://www.phoenixcontact.com/gb/products/1088104>

## Technical Data

### Dimensions

Dimensional drawing	
Width	14.9 mm
Height	62.2 mm
Depth	62 mm

### Notes

#### Utilization restriction

EMC note	EMC: class A product, see manufacturer's declaration in the download area
----------	---------------------------------------------------------------------------

### Material specifications

Color	traffic grey A RAL 7042
-------	-------------------------

### Interfaces

#### Smart Element interface

Number of interfaces	1
Connection method	Card edge connector
Transmission speed	See system in which you use the Smart Element.
Start time until ready to operate	< 1000 ms

### System properties

#### Module

ID code (hex)	none
Process data channel	64 Bit
Input address area	8 Byte
Output address area	8 Byte
Required parameter data	15 Byte
Required configuration data	6 Byte

### Input data

#### Analog

Input name	Analog inputs
Description of the input	Single-ended inputs, voltage

# Analog module - AXL SE AI4 U 0-10



1088104

<https://www.phoenixcontact.com/gb/products/1088104>

Number of inputs	4
A/D converter resolution	12 bit
Connection method	Push-in technology
Connection technology	2-conductor
Note regarding the connection technology	shielded, twisted pair
Voltage input signal	0 V ... 10 V
Input resistance of voltage input	> 100 kΩ
Data formats	Standardized representation
Measured value representation	16 bits
Protective circuit	Transient protection

## Product properties

Type	modular
Product type	I/O component
Mounting position	See the system in which the Smart Element is used.

### Insulation characteristics

Overvoltage category	II (IEC 60664-1)
Pollution degree	2 (EN 60664-1)

## Electrical properties

### Potentials: Communications power supply of the Smart Elements ( $U_{SE}$ )

Supply voltage	using card edge connectors
----------------	----------------------------

### Potentials: I/O supply ( $U_P$ )

Supply voltage	24 V DC (using card edge connectors)
Supply voltage range	19.2 V DC ... 30 V DC (including all tolerances, including ripple)
Current draw	max. 20 mA typ. 15 mA
Current consumption	min. 12 mA (without connected peripherals)
Power consumption	max. 480 mW min. 288 mW
Protective circuit	Surge protection; See the system in which the Smart Element is used. Reverse polarity protection; Polarity protection diode

## Connection data

### Connection technology

Connection name	I/O
Note on the connection method	Please observe the information provided on conductor cross sections in the "AxioLine Smart Elements" user manual.

### Conductor connection

Connection method	Push-in connection
Conductor cross section solid	0.25 mm <sup>2</sup> ... 1.5 mm <sup>2</sup>

# Analog module - AXL SE AI4 U 0-10



1088104

<https://www.phoenixcontact.com/gb/products/1088104>

Conductor cross section flexible	0.25 mm <sup>2</sup> ... 1.5 mm <sup>2</sup>
Conductor cross section AWG	24 ... 16
Conductor cross section flexible, with ferrule without plastic sleeve	0.25 mm <sup>2</sup> ... 1.5 mm <sup>2</sup>
Conductor cross section, flexible, with ferrule, with plastic sleeve	0.25 mm <sup>2</sup> ... 1.5 mm <sup>2</sup>
Stripping length	8 mm

## I/O

Connection method	Push-in connection
Note on the connection method	Please observe the information provided on conductor cross sections in the "Axoline Smart Elements" user manual.
Conductor cross section, rigid	0.25 mm <sup>2</sup> ... 1.5 mm <sup>2</sup>
Conductor cross section, flexible	0.25 mm <sup>2</sup> ... 1.5 mm <sup>2</sup>
Conductor cross section AWG	24 ... 16
Conductor cross section, flexible, with ferrule, with plastic sleeve	0.25 mm <sup>2</sup> ... 1.5 mm <sup>2</sup>
Conductor cross section flexible, with ferrule without plastic sleeve	0.25 mm <sup>2</sup> ... 1.5 mm <sup>2</sup>
Stripping length	8 mm

## Environmental and real-life conditions

### Ambient conditions

Ambient temperature (operation)	-25 °C ... 60 °C
Degree of protection	IP20
Air pressure (operation)	70 kPa ... 106 kPa (up to 3000 m above sea level)
Air pressure (storage/transport)	70 kPa ... 106 kPa (up to 3000 m above sea level)
Ambient temperature (storage/transport)	-40 °C ... 85 °C
Permissible humidity (operation)	5 % ... 95 % (non-condensing)
Permissible humidity (storage/transport)	5 % ... 95 % (non-condensing)

## Standards and regulations

Protection class	III (IEC 61140, EN 61140, VDE 0140-1)
------------------	---------------------------------------

## Mounting

Mounting type	Smart Element slot
Mounting position	See the system in which the Smart Element is used.

# Analog module - AXL SE AI4 U 0-10



1088104

<https://www.phoenixcontact.com/gb/products/1088104>

## Classifications

### ECLASS

ECLASS-9.0	27242601
ECLASS-10.0.1	27242601
ECLASS-11.0	27242601
ECLASS-12.0	27242601

### ETIM

ETIM 8.0	EC001596
----------	----------

### UNSPSC

UNSPSC 21.0	32151600
-------------	----------

Phoenix Contact 2023 © - all rights reserved  
<https://www.phoenixcontact.com>

PHOENIX CONTACT Ltd  
Halesfield 13, Telford  
Shropshire, TF7 4PG  
01952 681700  
[info@phoenixcontact.co.uk](mailto:info@phoenixcontact.co.uk)